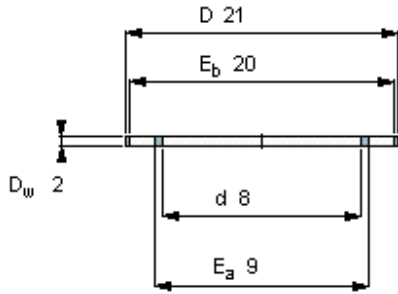


Needle roller thrust bearings, needle roller and cage thrust assemblies and bearings with a centring spigot

Principal dimensions			Basic load ratings		Speed ratings		Designation
d	D	D <sub>w</sub>	C	static C <sub>0</sub>	Reference speed	Limiting speed	
mm			kN		r/min		-
<b>8</b>	21	2	7,2	20	5600	11000	<b>AXK 0821 TN</b>



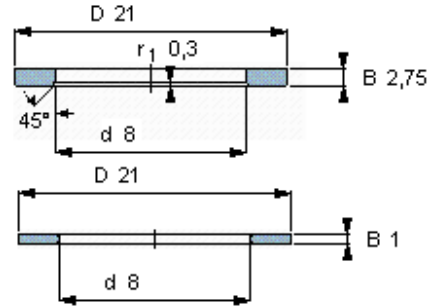
**Appropriate bearing washers**

Universal washer

LS 0821

Thin universal washer

AS 0821



AXK 0821 TN